

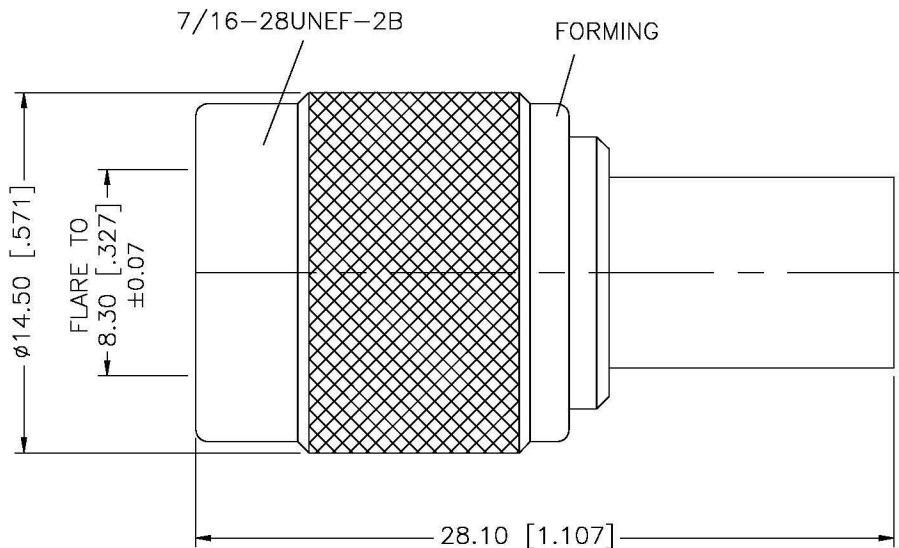
FEDERAL CUSTOM CABLE

www.FCCABLE.com

Part Number: **RT1129-50**
Product Type: **RESISTOR TERMINATION**
Description: **TNC MALE RESISTOR TERMINATION 1/2 W**

Material Specifications

Cable(s):
Body: ASDF
Finish: ASDF
Insulation: ASDF
Impedence: Ohms



1891 Alton Prkwy | Irvine, California 92606

Local Call: (949) 851-3114 | Toll Free: (888) 440-8688 | Local Fax: (949) 852-8136 | Toll Free Fax: (800)874-2444