

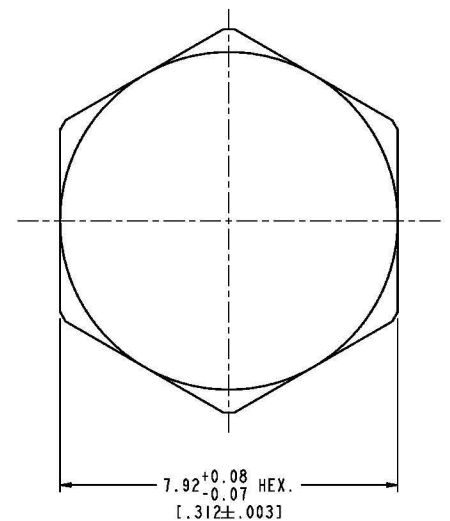
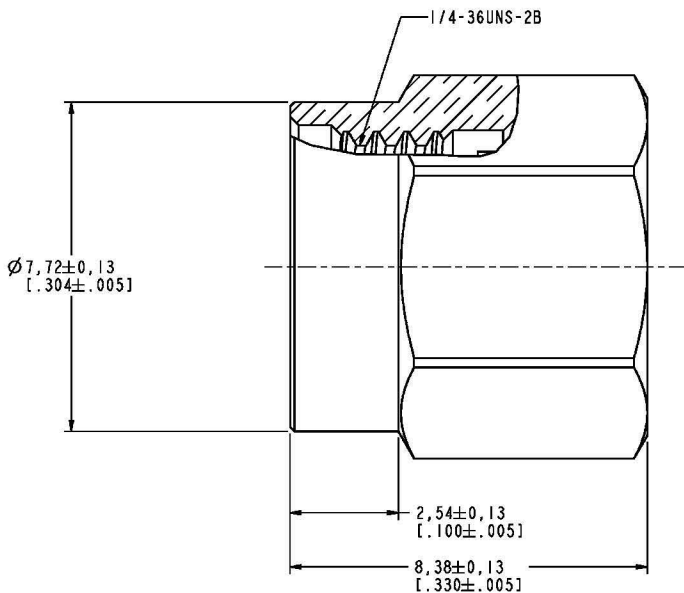
FEDERAL CUSTOM CABLE

www.FCCABLE.com

Part Number: **RT1133**
Product Type: **RESISTOR TERMINATION**
Description: **SMA MALE RESISTOR TERMINATION 2W**

Material Specifications

Cable(s): N/A
Body: Brass
Finish: Gold
Insulation: Teflon
Impedence: 50 Ohms



1891 Alton Prkwy | Irvine, California 92606

Local Call: (949) 851-3114 | Toll Free: (888) 440-8688 | Local Fax: (949) 852-8136 | Toll Free Fax: (800)874-2444