

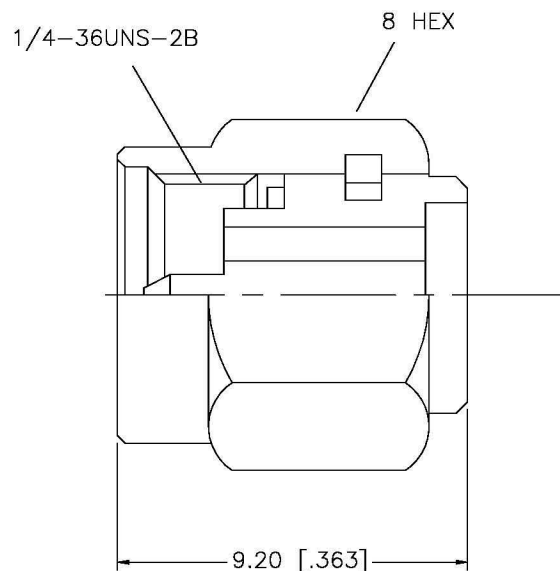
# FEDERAL CUSTOM CABLE

www.FCCABLE.com

Part Number: **SH1111**  
Product Type: **SHORT**  
Description: **SMA MALE SHORT WITH NO CHAIN**

## Material Specifications

Cable(s): N/A  
Body: Brass  
Finish: Gold  
Insulation: N/A  
Impedence: N/A



1891 Alton Prkwy | Irvine, California 92606

Local Call: (949) 851-3114 | Toll Free: (888) 440-8688 | Local Fax: (949) 852-8136 | Toll Free Fax: (800)874-2444